

A. Safety Guide

Thank you for purchasing this products.



WARNING • Before using, read these user's manuals of this product to ensure correct usage through understanding. After reading, store them in a safe place for future reference. Incorrect handling of this product could possibly result in personal injury or physical damage. The manufacturer assumes no responsibility for any damage caused by mishandling that is beyond normal usage defined in these manuals of this product.



- You will be using sharp tools. Always use personal protective equipment such as gloves and safety glasses to avoid the risk of injury.
- Make sure the floor you step on is dry, free from any liquids such as oil and water when assembling this product. Use anti-slip shoes to avoid falling due to slips.
- Keep this product out of reach of electric current, as this product is made of metal that conducts electricity.
- Make sure there is adequate lighting when doing the assembly. When assembling keep it away from children and pets.

B. Equipment needed to assemble.

Not included in the item package.

- Safety transparent glass (if there any)
- Safety Gloves and Safety Shoes
- Electrical Hand Drill

It is recommended that you have knowledge of assembly are helpfull.

SAFETY PRECAUTION



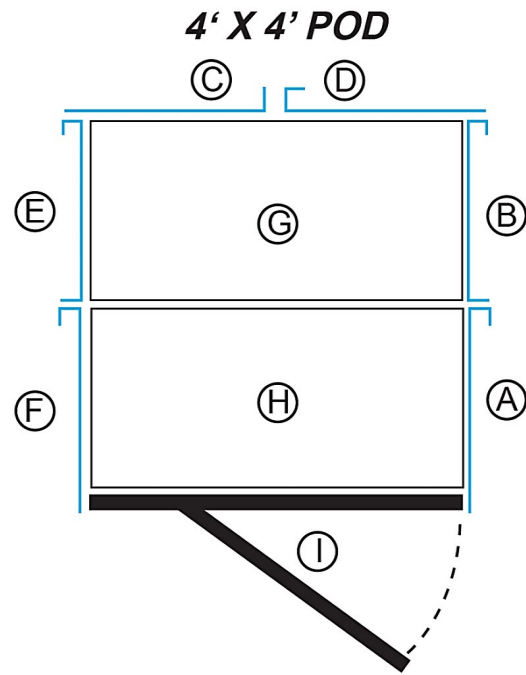
K9 KENNEL STORE

833 West 27th Street Ogden, Ut 84401

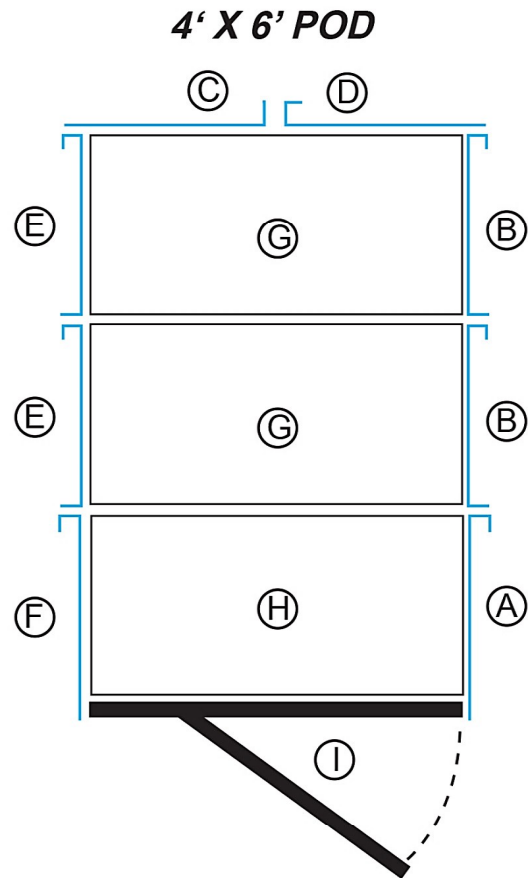
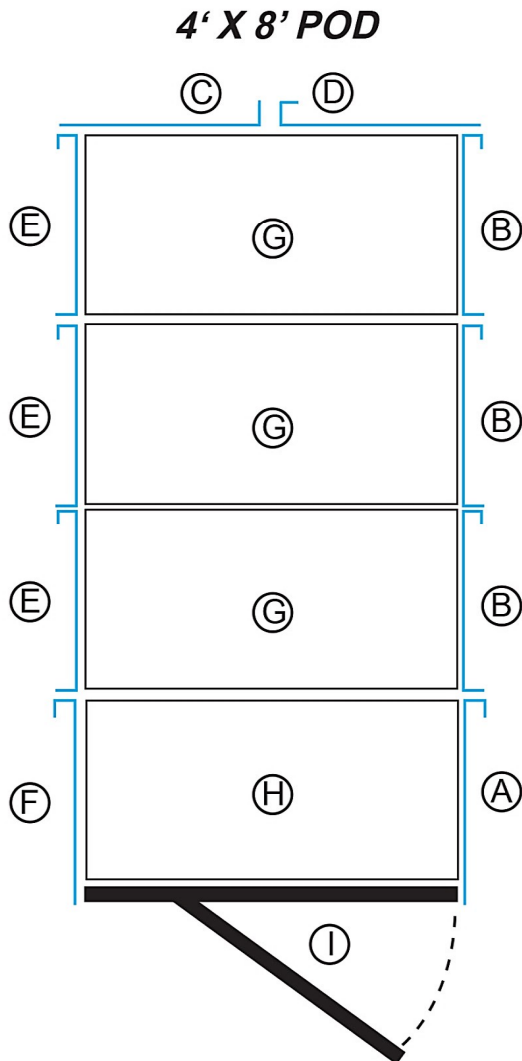
Phone : (801) 621-4024 Fax :(801) 621-4353

C. Whats inside the package?

- A - Right Front Wall
- B - Right Side Wall
- C - Right Back Wall
- D - Left Back Wall
- E - Left Side Wall
- F - Left Front Wall
- G - Top Panel
- H - Top Front Panel
- I - Fence Door
- J - Floor Pan
- K - Raising Floor
- L - Bolts and Screw

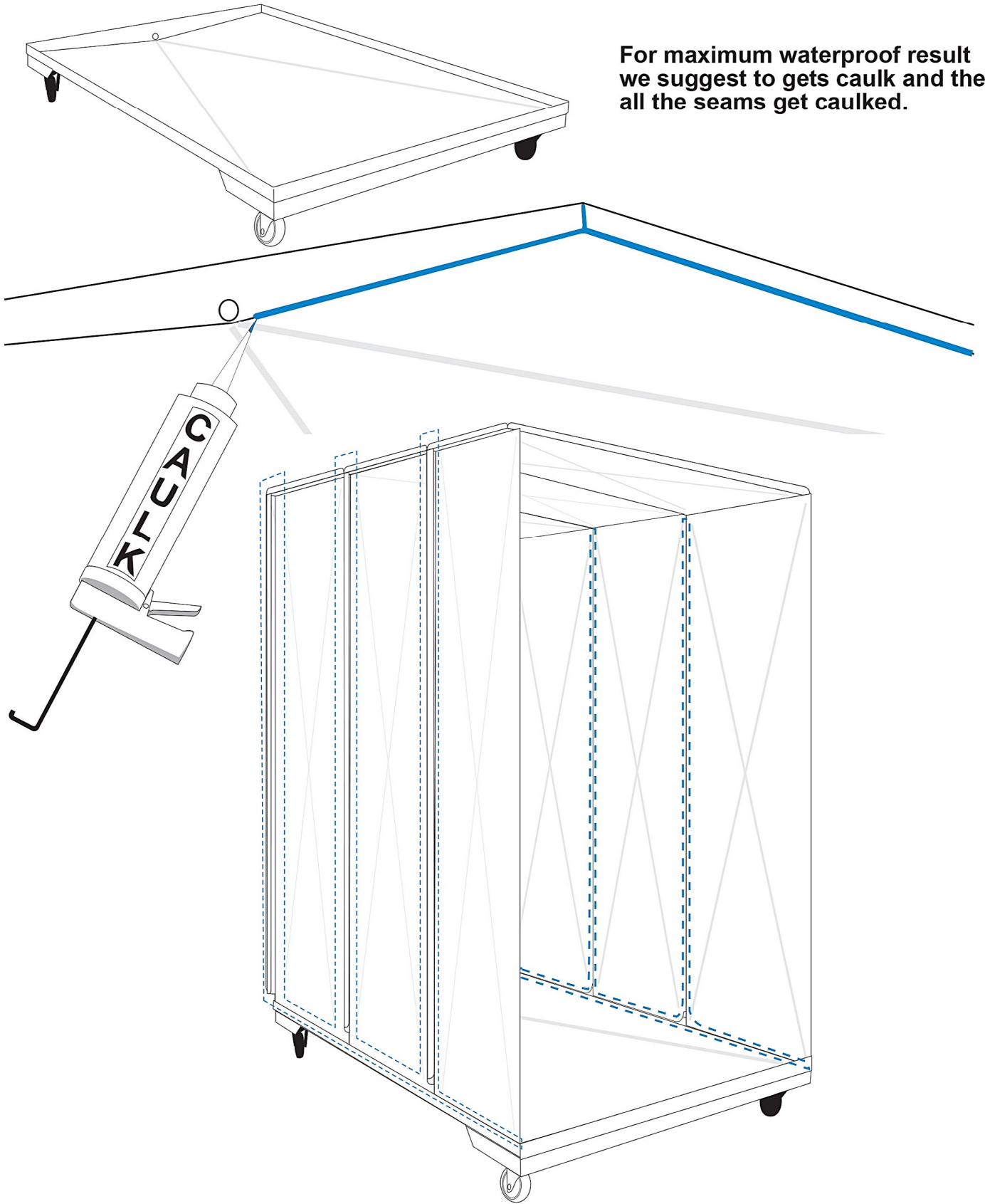


TOP VIEW SCHEME



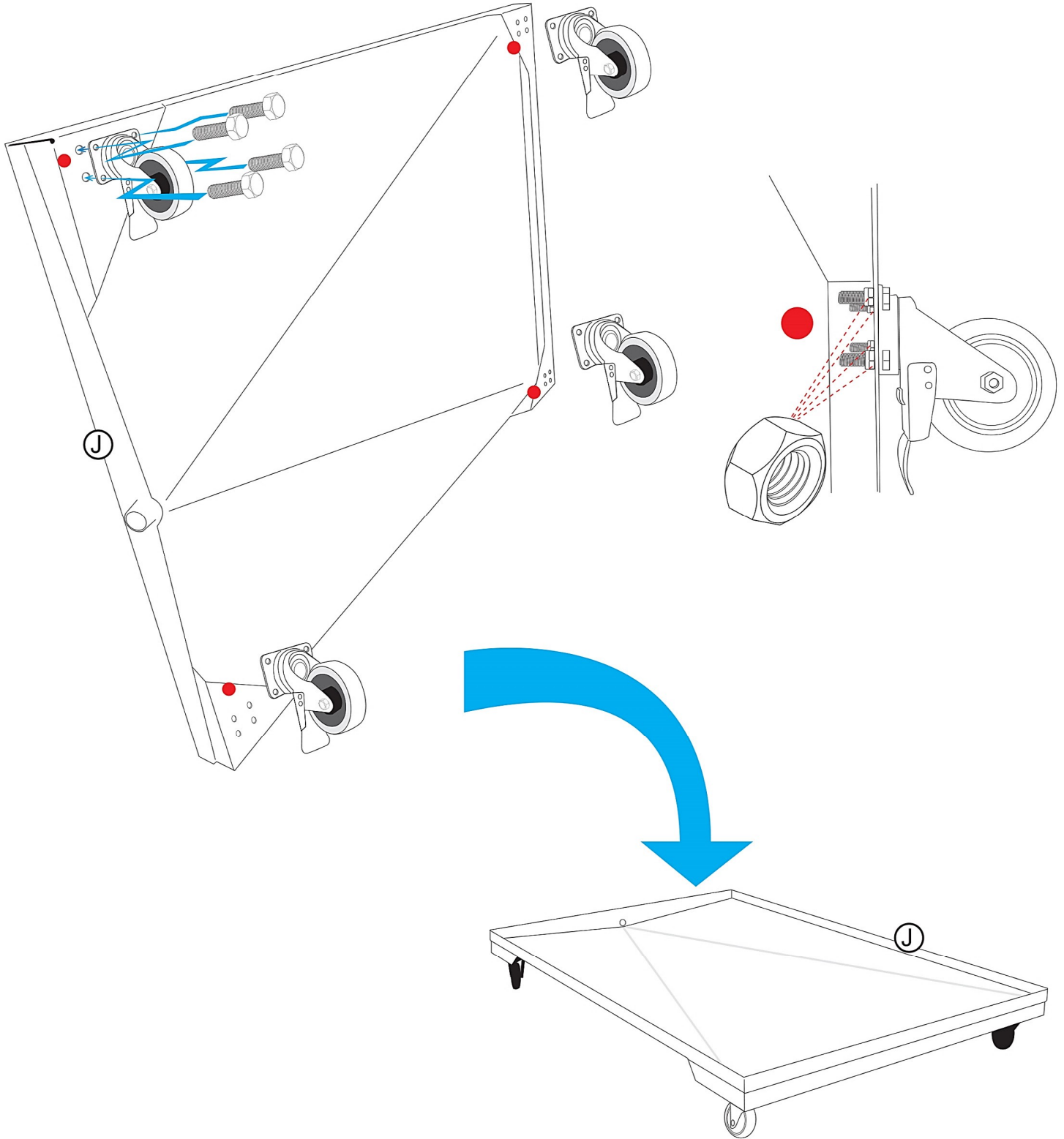
Tips for maximum waterproof

For maximum waterproof result we suggest to gets caulk and then all the seams get caulked.

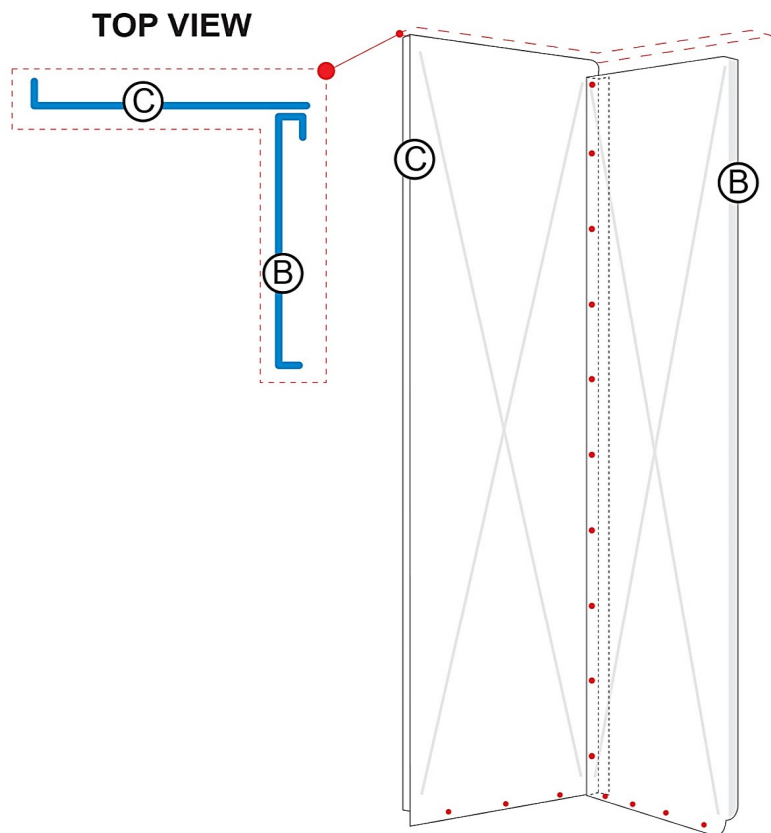
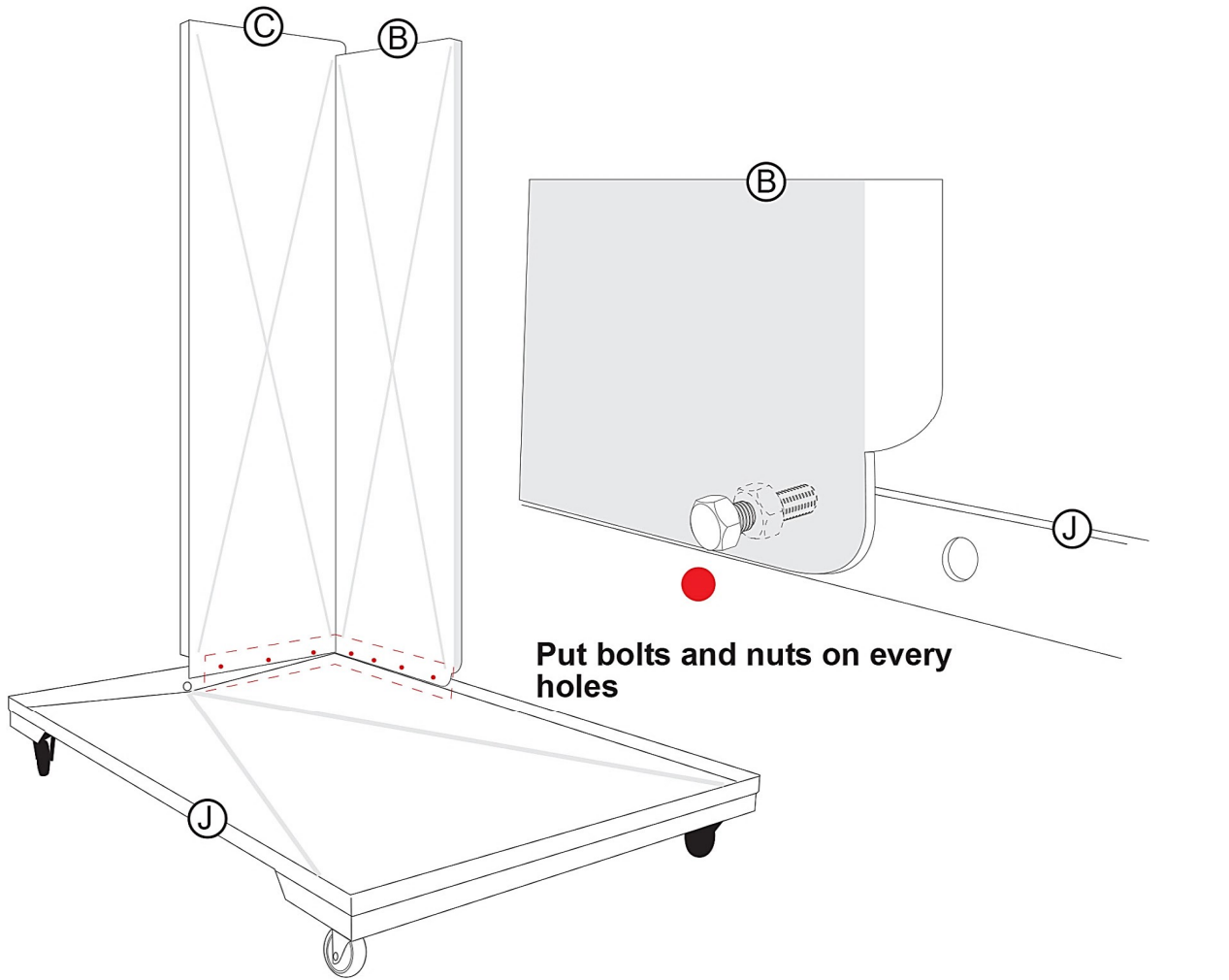


D. Assembly

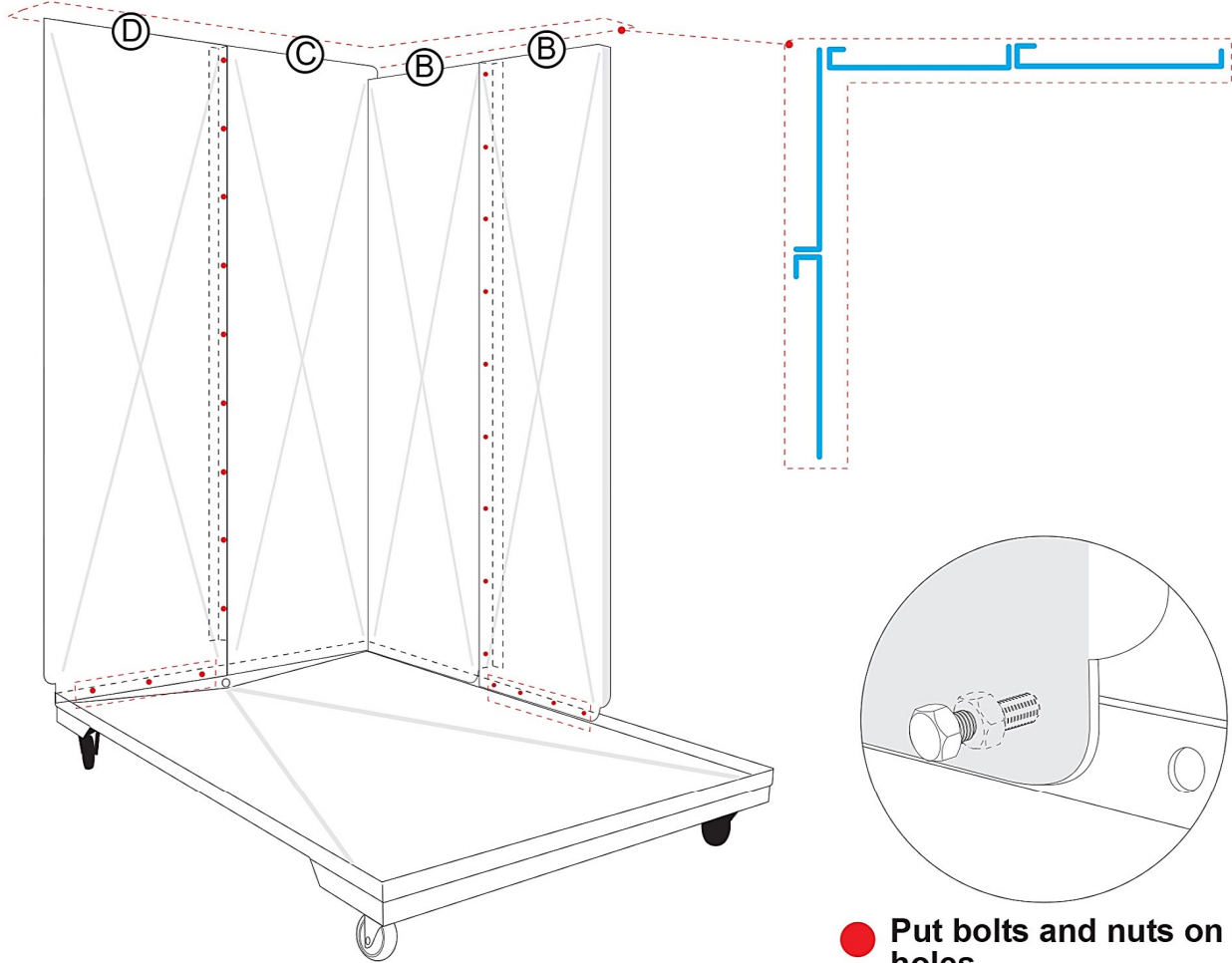
1. Assemble Casters to Floor Pan



2. Attach Side and Rear Wall Panel to Inside of Floor Pan

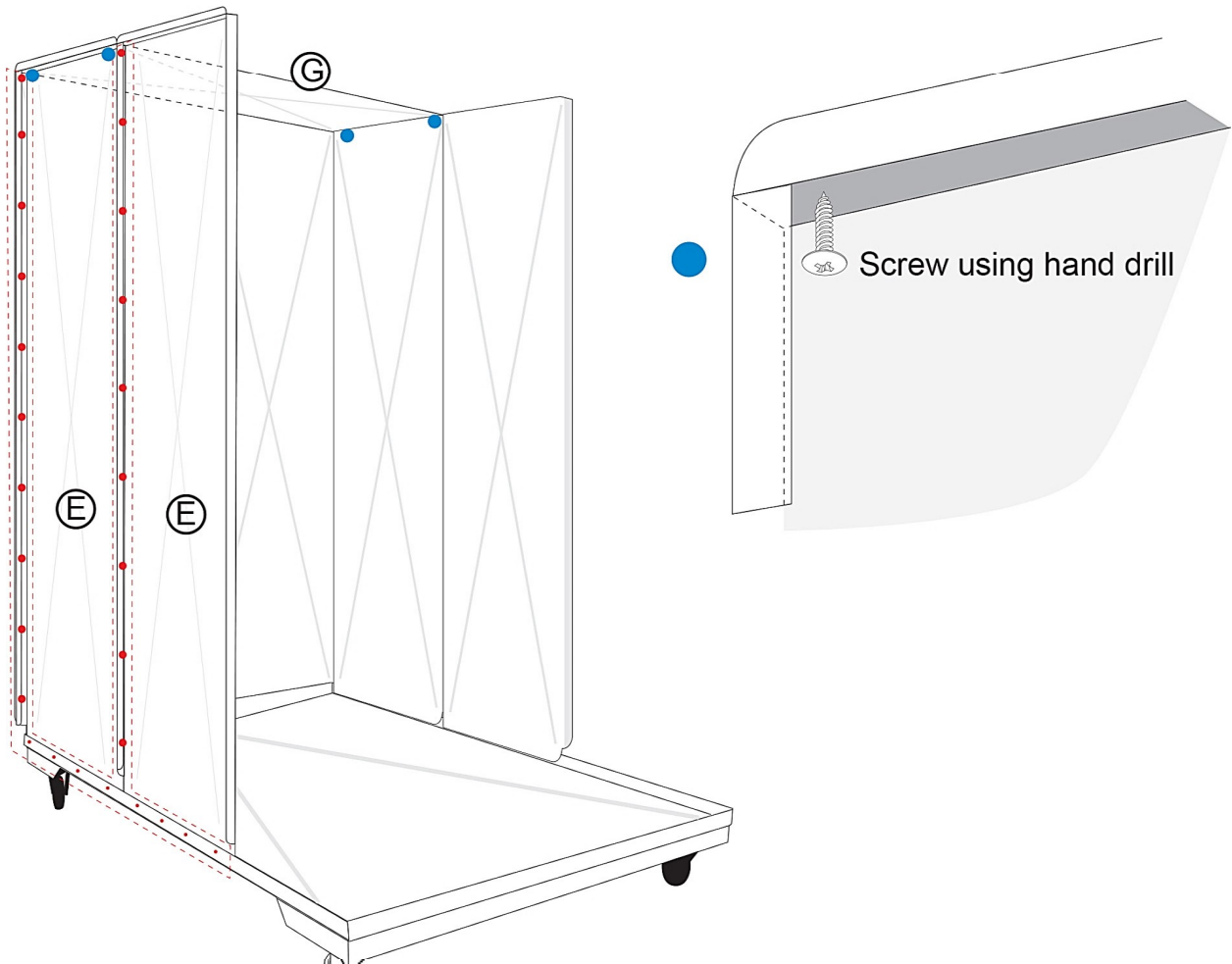


3. Attach other rear & side wall to Floor Pan



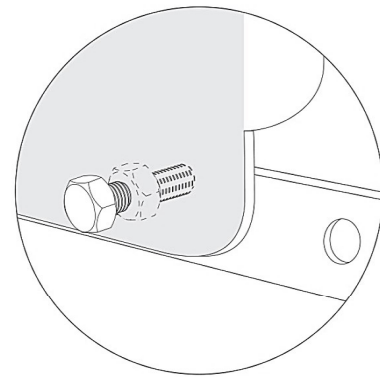
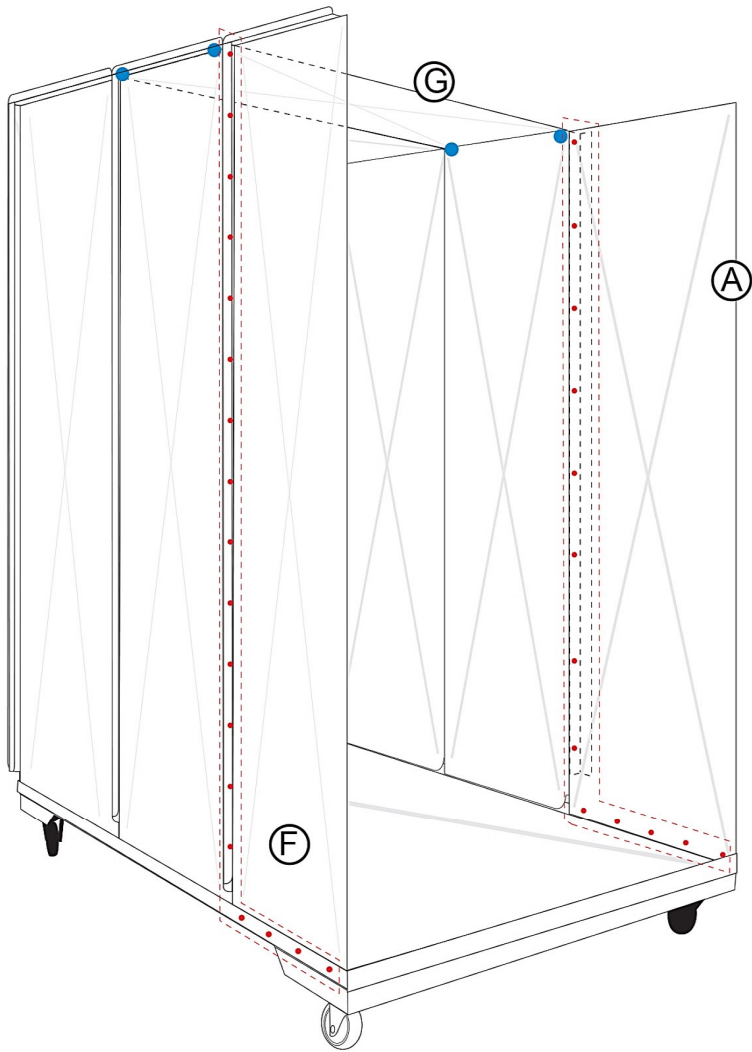
● Put bolts and nuts on every holes

4. Attach Side Wall to Roof Panel & Floor Pan



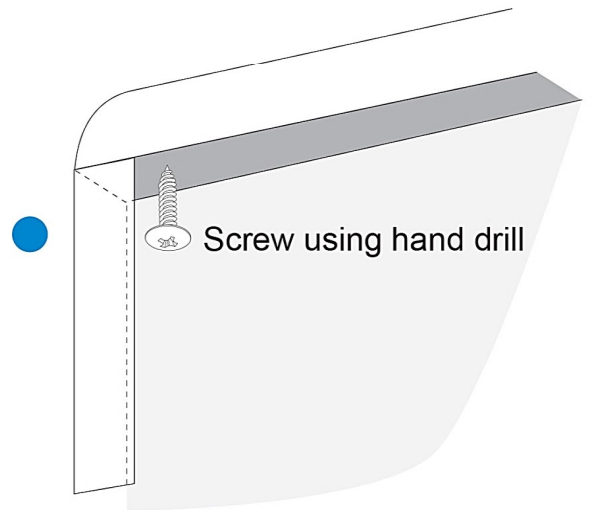
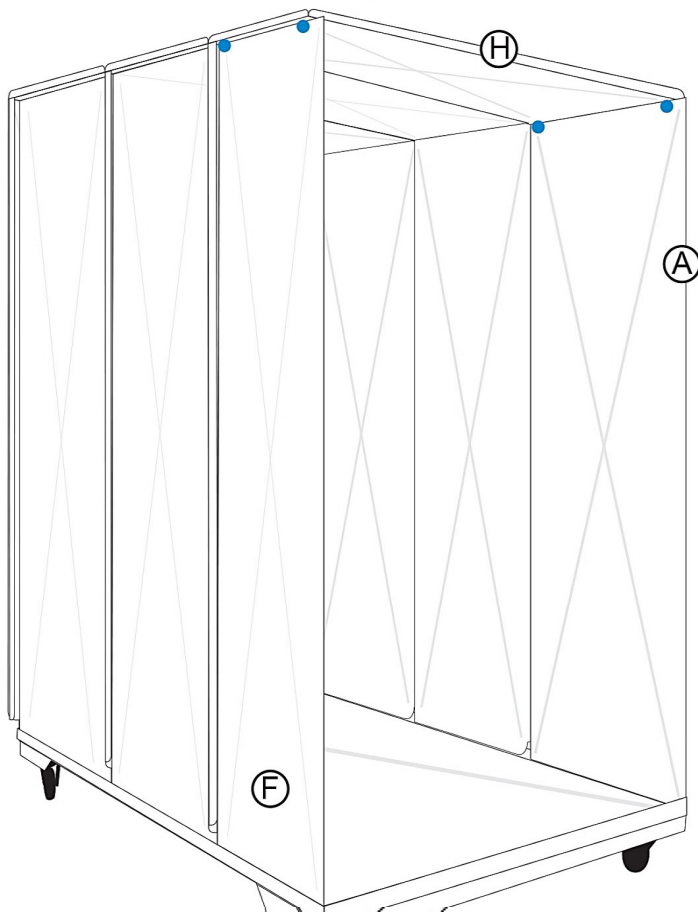
● Screw using hand drill

5. Attach other Roof Panel and side wall to Floor Pan



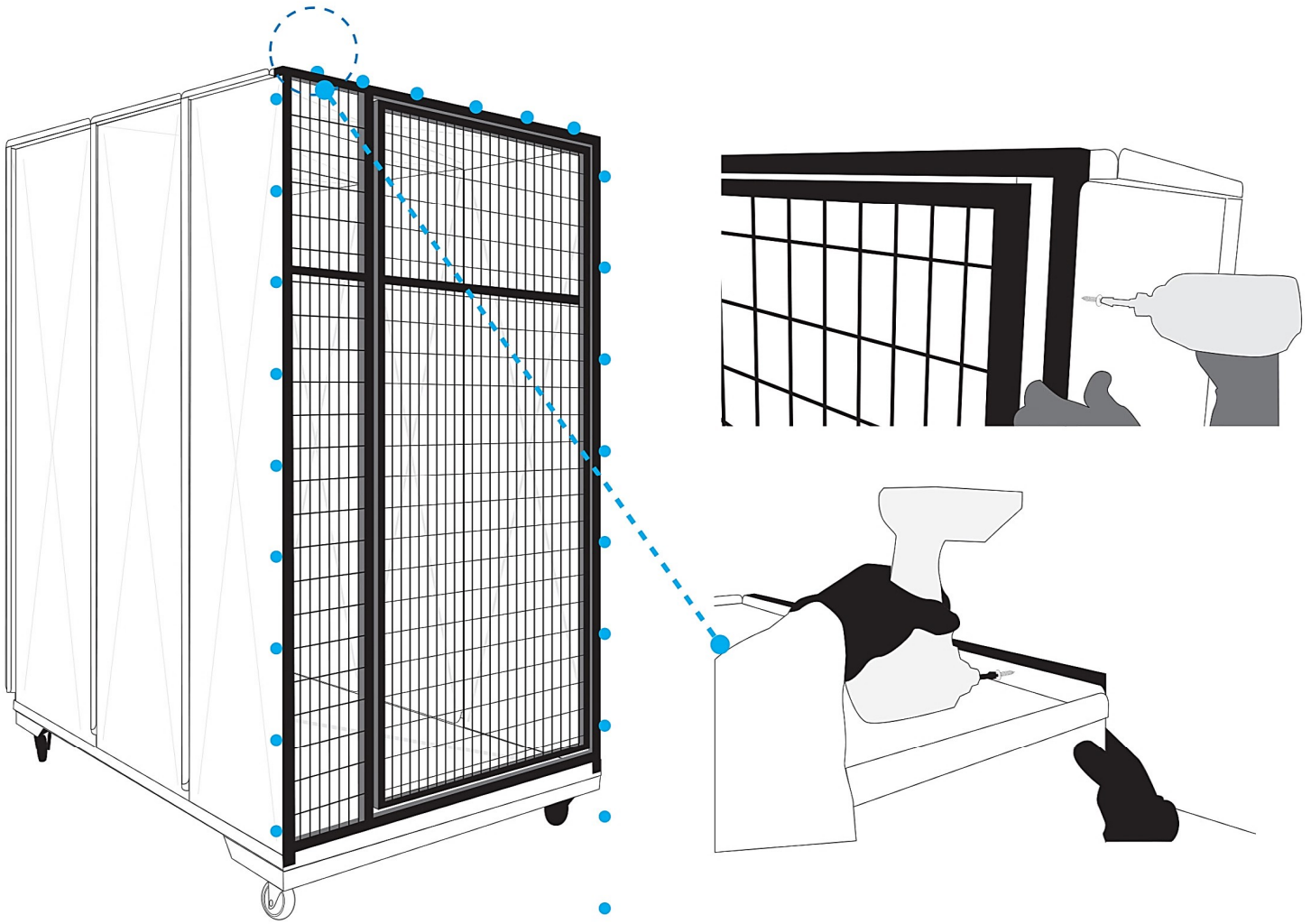
● Put bolts and nuts on every holes

6. Attach the Front Roof Panel

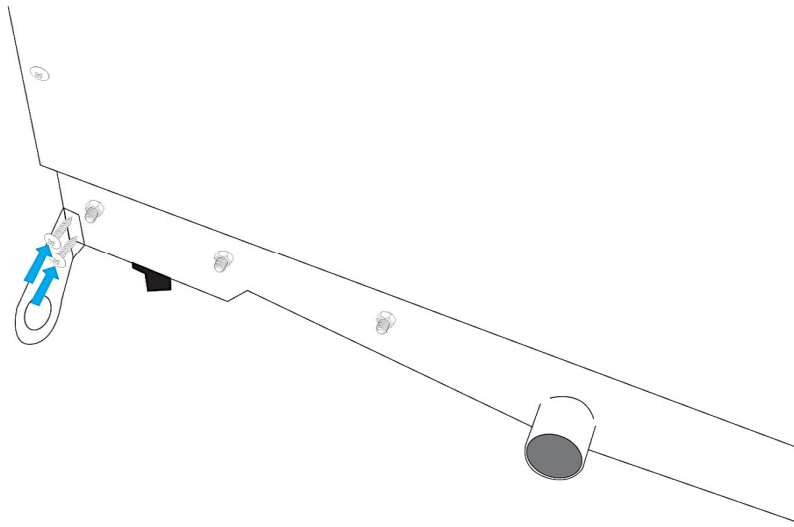


● Screw using hand drill

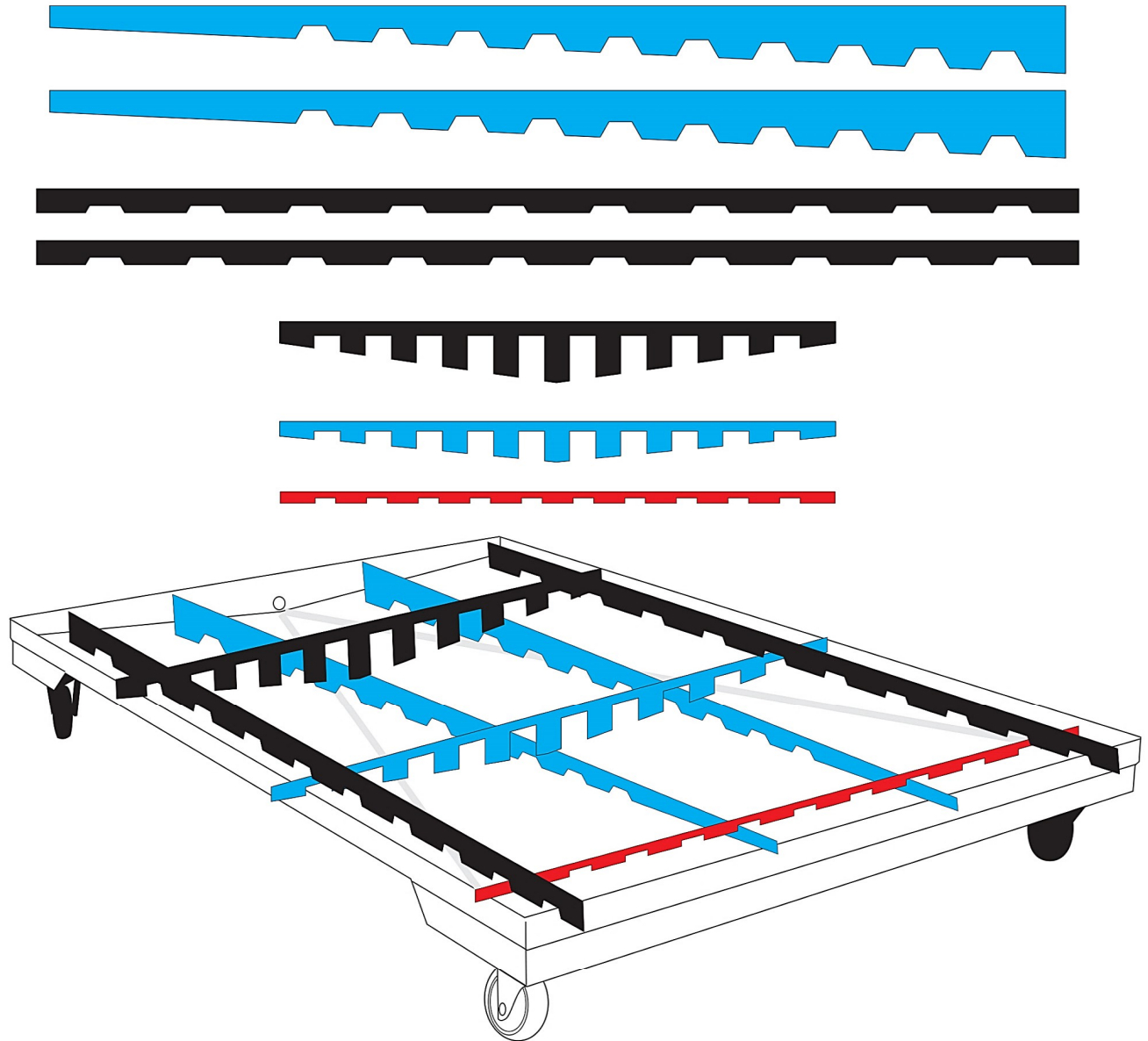
7. Attach The Door Panel



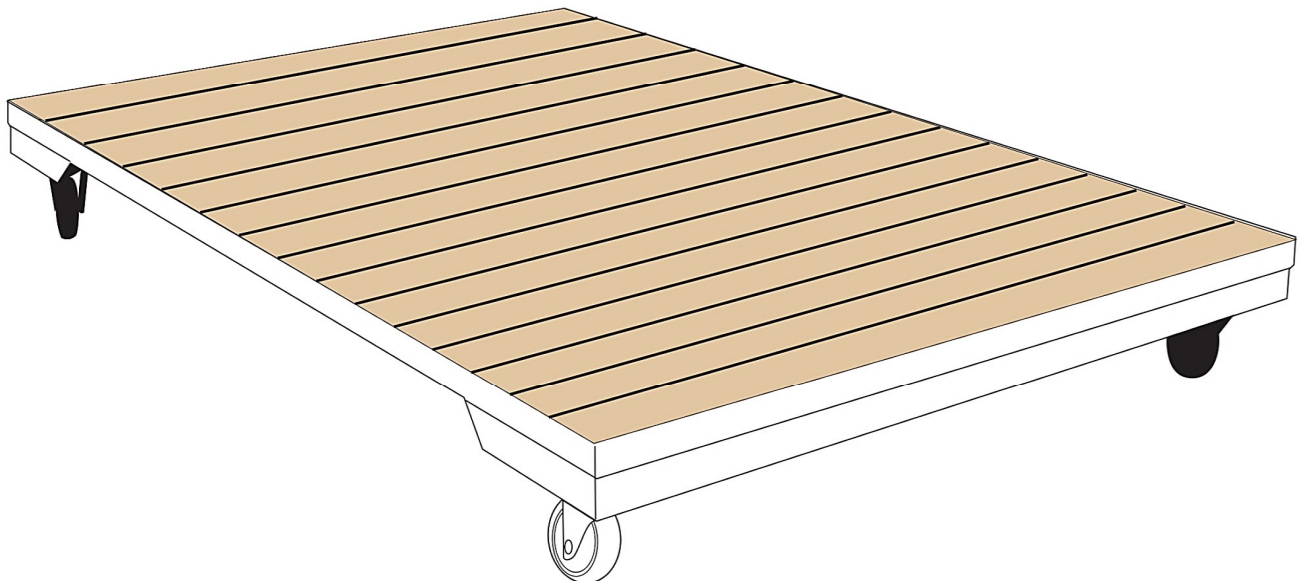
8. Attach the Pipe Holder



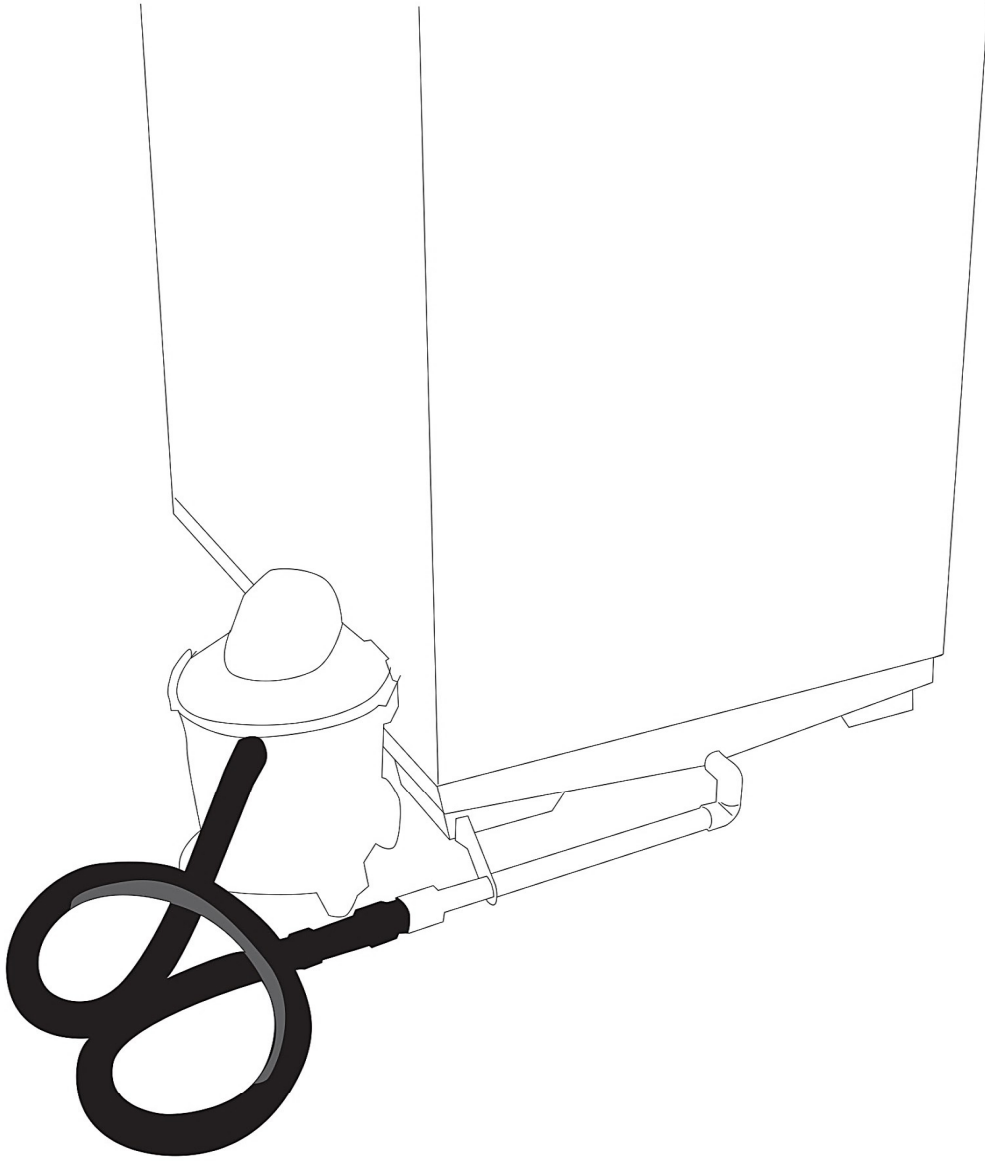
9. Cross Connect the Drain Grid



10. Insert Raised Flooring



12. Water draining Instalation



**Your Quick N Clean Tall Galvanized Kennel Pod
Is ready to use
~Thank You~**